



Specifications

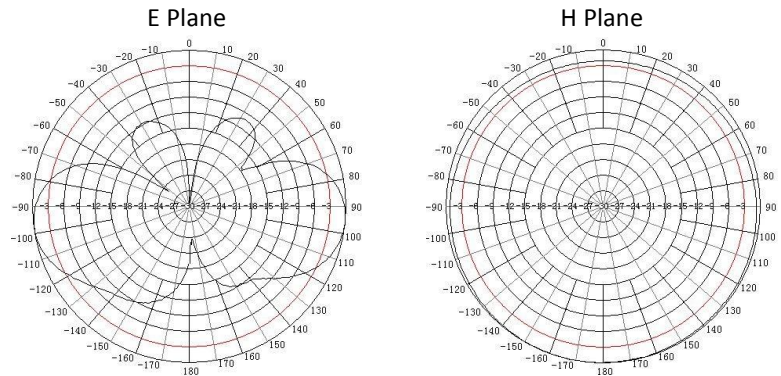
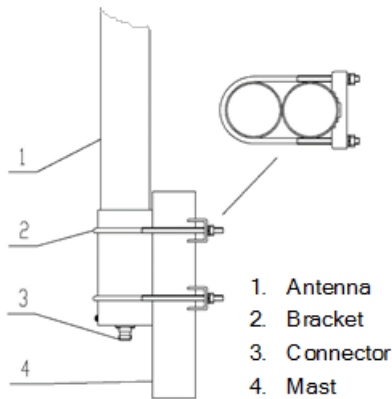
Frequency Range	450-470 MHz
Bandwidth	15 MHz
Gain	5 dBi
Impedance	50 ohms
VSWR	< 1.5:1
Polarization	Vertical
Max. input power	100 W
H-plane beamwidth	360° (Omni)
E-plane beamwidth	35°
Connector	N female
Height	1200 mm
Radome diameter	70 mm
Weight	0.5 kg (without bracket)
Rated Wind Velocity	216 km/h
Radome	Fiberglass
Mounting	On 35-50 mm dia. mast tube
Operating Temperature	-40°C to +70°C
Ingress Protection	IP66

Applications

- 450 MHz Band
- Wireless access system
- Trunking communications
- Signal coverage
- Network optimized

Features

- Broadband Design
- Simple Structure, Good performance
- Good environmental adaptability
- Outdoor used



Mounting Mounting hardware supplied.

Order Information:

AC-XXX-XXX-5-100KB XXX-XXX Frequency range (MHz) With 15 MHz bandwidth

Example of ordering an antenna for the frequency range 453-468 MHz: AC-453-468-5-100KB

The exceptional mechanical capabilities of this antenna ensures long dependable service in all environments.