



**Specifications**

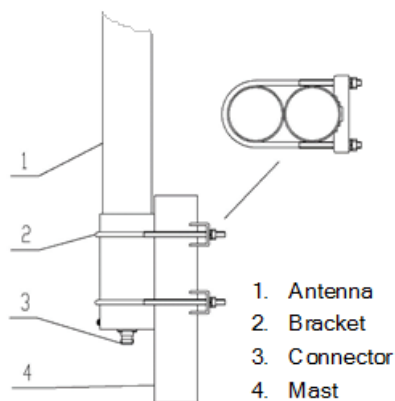
|                       |                            |
|-----------------------|----------------------------|
| Model                 | <b>AC-455470-5-100KB</b>   |
| Frequency Range       | 455-470 MHz                |
| Gain                  | 5 dBi                      |
| Impedance             | 50 ohms                    |
| VSWR                  | < 1.5:1                    |
| Polarization          | Vertical                   |
| Max. input power      | 100 W                      |
| H-plane beamwidth     | 360° (Omni)                |
| E-plane beamwidth     | 35°                        |
| Connector             | N female                   |
| Height                | 1200 mm                    |
| Radome diameter       | 70 mm                      |
| Weight                | 0.5 kg (without bracket)   |
| Rated Wind Velocity   | 216 km/h                   |
| Radome                | Fiberglass                 |
| Mounting              | On 35-50 mm dia. mast tube |
| Operating Temperature | -40°C to +70°C             |
| Ingress Protection    | IP66                       |

**Applications**

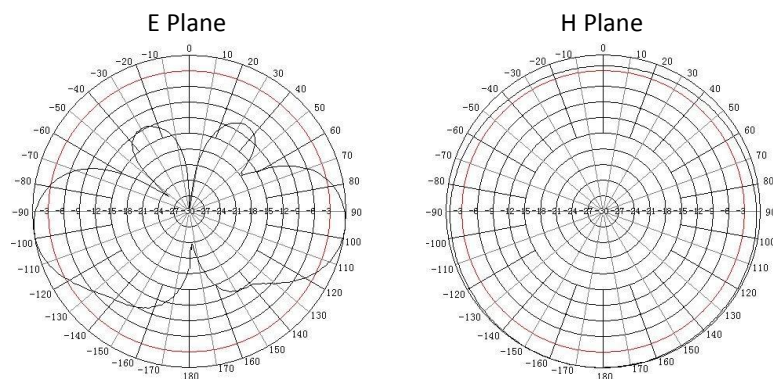
- 450 MHz Band
- Wireless access system
- Trunking communications
- Signal coverage
- Network optimized

**Features**

- Broadband Design
- Simple Structure, Good performance
- Good environmental adaptability
- Outdoor used



Mounting Mounting hardware supplied.



**Order Information:**

AC-455470-5-100KB Antenna 455-470 MHz, 5 dBi, 100W with N-female connector

The exceptional mechanical capabilities of this antenna ensures long dependable service in all environments.