



Specifications

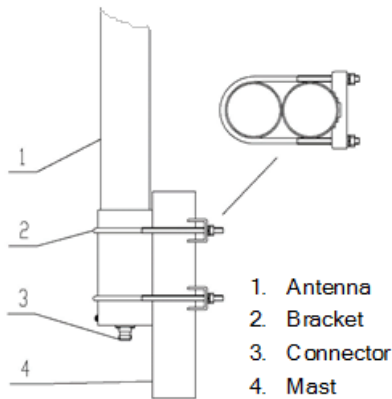
Model	AC-450465-5-100KB
Frequency Range	450-465 MHz
Gain	5 dBi
Impedance	50 ohms
VSWR	< 1.5:1
Polarization	Vertical
Max. input power	100 W
H-plane beamwidth	360° (Omni)
E-plane beamwidth	35°
Connector	N female
Height	1200 mm
Radome diameter	70 mm
Weight	0.5 kg (without bracket)
Rated Wind Velocity	216 km/h
Radome	Fiberglass
Mounting	On 35-50 mm dia. mast tube
Operating Temperature	-40°C to +70°C
Ingress Protection	IP66

Applications

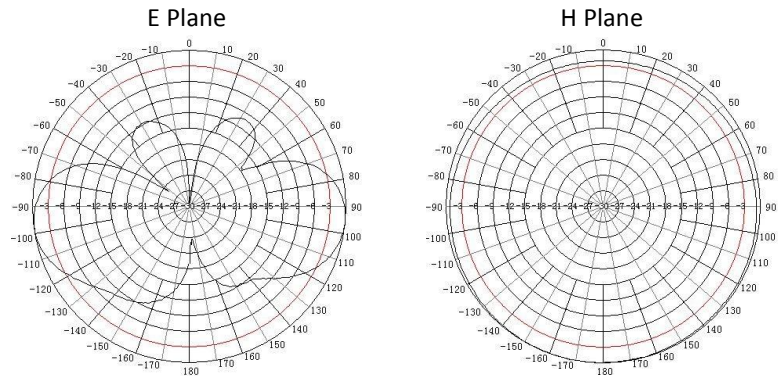
- 450 MHz Band
- Wireless access system
- Trunking communications
- Signal coverage
- Network optimized

Features

- Broadband Design
- Simple Structure, Good performance
- Good environmental adaptability
- Outdoor used



Mounting Mounting hardware supplied.



Order Information:

AC-450465-5-100KB Antenna 450-465 MHz, 5 dBi, 100W with N-female connector

The exceptional mechanical capabilities of this antenna ensures long dependable service in all environments.