

# Selection Guide: RF Connector Adapters

## Series 852 RF Adapters

Precision-grade **Series 852 RF Adapters** are used to connect between series or within a series. Frequently used as connector savers, male-female adapters protect RF jacks on instruments from excessive wear-and-tear. 45° and 90° angled SMA male-female adapters provide extra clearance in cramped quarters.



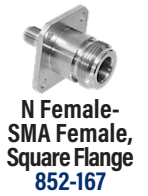
### TNC-SMA Adapters

Page 18



### N-SMA Adapters

Page 19



### SMA-SMA Adapters

Page 20, 21



### SMP-SMA Adapters

Page 22



### 2.92-SMA Adapters

Page 23



### BNC-SMA Adapters

Page 24



RF CONNECTOR ADAPTERS

## TNC-SMA Adapters

### 852-160 TNC MALE TO SMA FEMALE ADAPTER

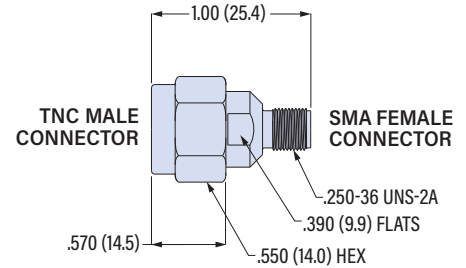


**TNC Male / SMA Female.** Connect TNC jack to SMA plug with 852-160 adapter. Stainless steel body with gold-plated BeCu contact, PTFE insulator, nickel-plated phos bronze lock ring, and silicone gasket.

- Operating temperature: -45 °C to +125 °C
- Frequency range: DC - 18 GHz
- VSWR: 1.20 maximum
- Impedance: 50 ohm

#### PART NUMBER

852-160



### 852-161 TNC FEMALE TO SMA FEMALE ADAPTER

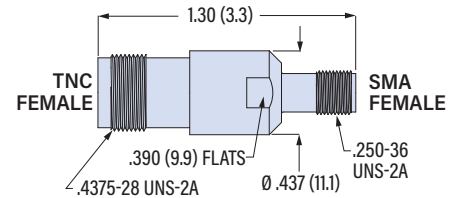


**TNC Female / SMA Female.** Connect TNC plug to SMA plug with 852-161 adapter. Stainless steel body, gold-plated BeCu contact, PTFE insulator.

- Operating temperature: -45 °C to +125 °C
- Frequency range: DC - 18 GHz
- VSWR: 1.20 maximum
- Impedance: 50 ohm

#### PART NUMBER

852-161



### 852-162 TNC FEMALE TO SMA FEMALE ADAPTER, SQUARE FLANGE

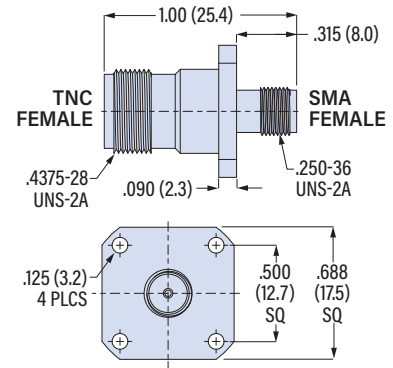


**TNC Female / SMA Female. 4 Hole Flange.** Connect TNC plug to SMA plug with 852-162 adapter. Stainless steel body, gold-plated BeCu contact, PTFE insulator.

- Operating temperature: -45 °C to +125 °C
- Frequency range: DC - 18 GHz
- VSWR: 1.20 maximum
- Impedance: 50 ohm

#### PART NUMBER

852-162



### 852-163 TNC FEMALE TO SMA FEMALE ADAPTER, JAM NUT

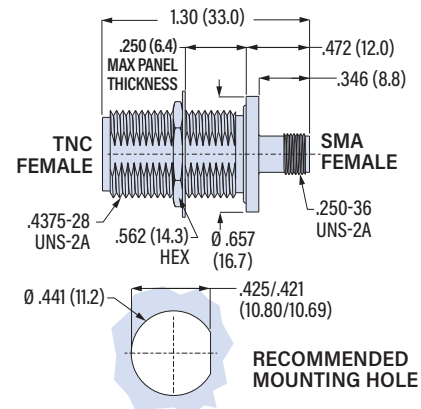


**TNC Female / SMA Female. Jam nut panel mounting.** Connect TNC plug to SMA plug with 852-163 adapter. Stainless steel body and hex nut. Gold-plated BeCu contact. Nickel-plated brass lock washer, PTFE insulator, silicone O-ring.

- Operating temperature: -45 °C to +125 °C
- Frequency range: DC - 18 GHz
- VSWR: 1.20 maximum
- Impedance: 50 ohm

#### PART NUMBER

852-163



## N-SMA Adapters

### 852-164 N MALE TO SMA FEMALE ADAPTER

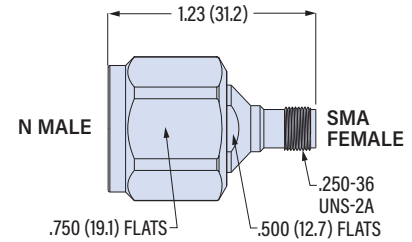


**N Male / SMA Female.** Connect N jack to SMA plug with 852-164 adapter. Stainless steel body with gold-plated BeCu contact, PTFE insulator, nickel-plated phos bronze lock ring, and silicone gasket.

- Operating temperature: -55 °C to +165 °C
- Frequency range: DC - 18 GHz
- VSWR: 1.20 maximum
- Impedance: 50 ohm

#### PART NUMBER

852-164



### 852-165 N FEMALE TO SMA FEMALE ADAPTER

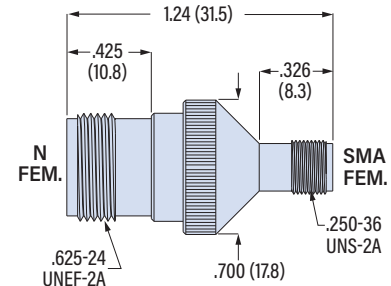


**N Female / SMA Female.** Connect N plug to SMA plug with 852-165 adapter. Stainless steel body, gold-plated BeCu contact, PTFE insulator.

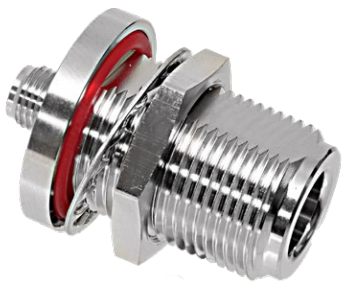
- Frequency range: DC - 18 GHz
- VSWR: 1.20 maximum
- Impedance: 50 ohm

#### PART NUMBER

852-165



### 852-166 N FEMALE TO SMA FEMALE ADAPTER, JAM NUT

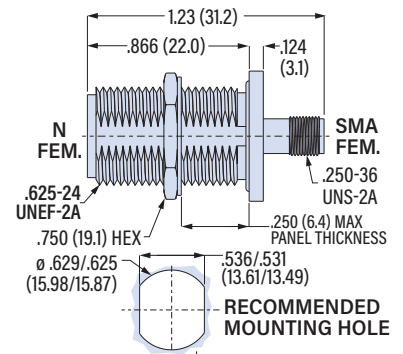


**N Female / SMA Female.** Connect N plug to SMA plug with 852-166 panel mount adapter. Nickel-plated brass body and hex nut. Gold-plated BeCu contact. Stainless steel lock washer, PTFE insulator, silicone O-ring.

- Operating temperature: -45 °C to +125 °C
- Frequency range: DC - 18 GHz
- VSWR: 1.20 maximum
- Impedance: 50 ohm

#### PART NUMBER

852-166



### 852-167 N FEMALE TO SMA FEMALE ADAPTER, SQUARE FLANGE

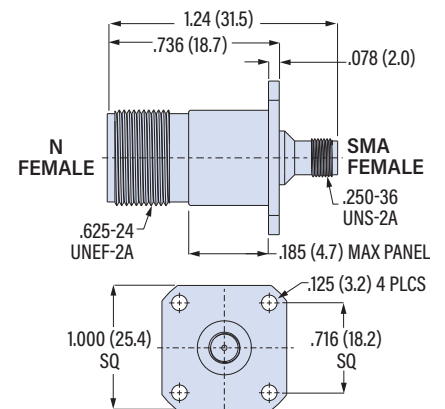


**N Female / SMA Female.** Connect N plug to SMA plug with 852-167 panel mount adapter. Stainless steel body, gold-plated BeCu contact, PTFE insulator.

- Operating temperature: -45 °C to +125 °C
- Frequency range: DC - 18 GHz
- VSWR: 1.20 maximum
- Impedance: 50 ohm

#### PART NUMBER

852-167



## SMA-SMA Adapters

### 852-168 SMA MALE TO SMA FEMALE ADAPTER

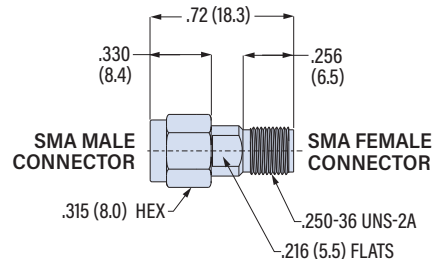


**SMA Male / SMA Female.** 852-168 connector saver adapter protects equipment from wear and tear. Stainless steel body and coupling nut, gold-plated BeCu contact, PTFE insulator, stainless steel lock ring and silicone gasket.

- Frequency range: DC - 18 GHz
- VSWR: 1.15 maximum
- Impedance: 50 ohm

#### PART NUMBER

852-168



### 852-169 SMA FEMALE TO SMA FEMALE ADAPTER

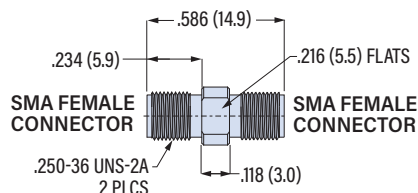


**SMA Female / SMA Female.** 852-169 gender changer adapter connects two SMA plugs. Stainless steel body, gold-plated BeCu contact, PTFE insulator.

- Frequency range: DC - 18 GHz
- VSWR: 1.15 maximum
- Impedance: 50 ohm

#### PART NUMBER

852-169



### 852-170 SMA FEMALE TO SMA FEMALE ADAPTER, PANEL MOUNT

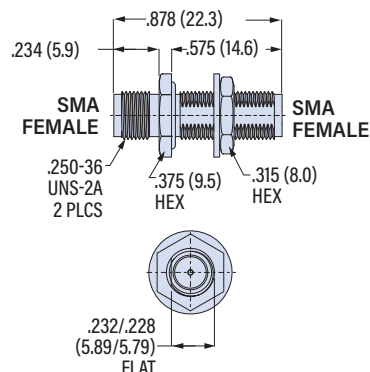


**SMA Female / SMA Female. Jam nut panel mount.** 852-170 adapter connects two SMA plugs. Stainless steel body, hex nut and lock washer. Gold-plated BeCu contact, PTFE insulator, silicone O-ring.

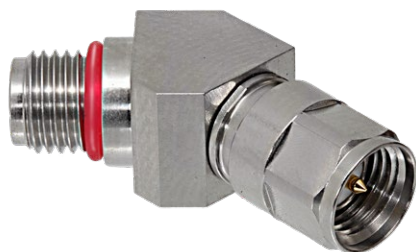
- Frequency range: DC - 18 GHz
- VSWR: 1.15 maximum
- Impedance: 50 ohm

#### PART NUMBER

852-170



### 852-183 SMA MALE TO SMA FEMALE, 45° ANGLE

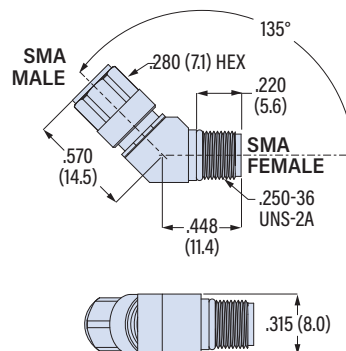


**SMA Male / SMA Female. 45°.** 852-183 adapter has low profile coupling nut for increased clearance. Gold-plated BeCu contact. Passivated stainless steel body and coupling nut, PTFE insulator, silicone O-ring and gasket, BeCu lock ring.

- Operating temperature: -45 °C to +125 °C
- Frequency range: DC - 18 GHz
- VSWR: 1.30 maximum
- Impedance: 50 ohm

#### PART NUMBER

852-183



# SMA-SMA Adapters

## 852-182 SMA MALE TO SMA FEMALE ADAPTER, RIGHT ANGLE

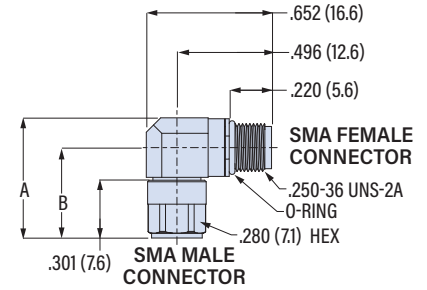


**SMA Male / SMA Female.** 852-182 90° adapter connects female SMA to male SMA. Available in six lengths. Stainless steel body and coupling nut. Gold-plated BeCu contact, PTFE insulator, BeCu lock ring. Silicone gasket and O-ring.

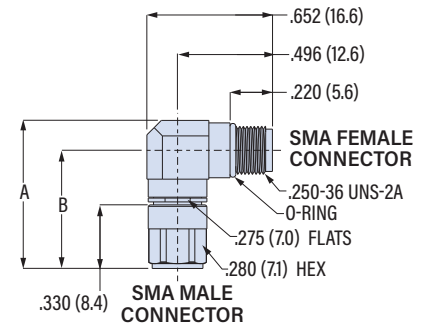
- Operating temperature: -45 °C to +125 °C
- Frequency range: DC - 18 GHz
- VSWR: 1.30 maximum
- Impedance: 50 ohm

### PART NUMBER

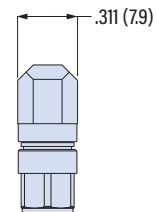
Part Number	Fig.	A		B	
		In.	mm.	In.	mm.
<a href="#">852-182-01</a>	Fig. 1	.626	15.9	.470	11.9
<a href="#">852-182-02</a>	Fig. 2	.770	19.6	.614	15.6
<a href="#">852-182-03</a>	Fig. 2	.990	25.1	.835	21.2
<a href="#">852-182-04</a>	Fig. 2	1.210	30.7	1.055	26.8
<a href="#">852-182-05</a>	Fig. 2	1.330	33.8	1.175	29.8
<a href="#">852-182-06</a>	Fig. 2	1.670	42.4	1.514	38.5



**Figure 1**  
852-182-01



**Figure 2**  
852-182-02 thru -06



## 2.92-SMA Adapters

RF CONNECTOR ADAPTERS

### 852-171 2.92 MALE TO SMA FEMALE ADAPTER

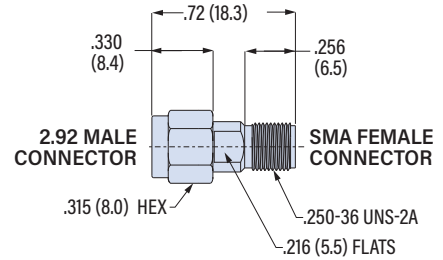


**2.92 Male / SMA Female.** 852-171 adapter connects 2.92mm female to SMA male. Stainless steel body, coupling nut and lock ring. Gold-plated BeCu contact, PTFE insulator, silicone gasket.

- Frequency range: DC - 18 GHz
- VSWR: 1.15 maximum
- Impedance: 50 ohm

#### PART NUMBER

852-171



### 852-172 2.92 FEMALE TO SMA FEMALE ADAPTER

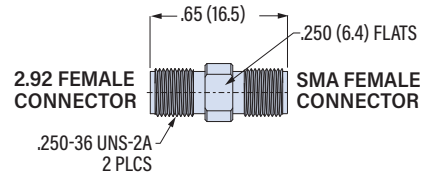


**2.92 Female / SMA Female.** 852-172 adapter connects 2.92mm male to SMA male. Stainless steel body, gold-plated BeCu contact, PTFE insulator.

- Frequency range: DC - 18 GHz
- VSWR: 1.15 maximum
- Impedance: 50 ohm

#### PART NUMBER

852-172



## SMP-SMA Adapters

### 852-173 SMP FULL-DETENT MALE TO SMA FEMALE ADAPTER

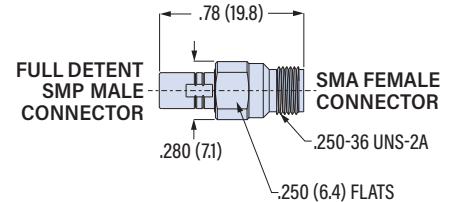


**SMP Male / SMA Female.** 852-173 adapter has full detent SMP male connector interface. Stainless steel body, gold-plated BeCu contact, PTFE insulator.

- Frequency range: DC - 26.5 GHz
- VSWR: 1.20 maximum
- Impedance: 50 ohm

#### PART NUMBER

852-173



### 852-174 SMP SMOOTH-BORE MALE TO SMA FEMALE ADAPTER

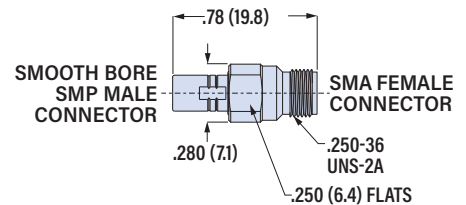


**SMP Male / SMA Female.** 852-174 adapter has smooth bore SMP male connector interface. Stainless steel body, gold-plated BeCu contact, PTFE insulator.

- Frequency range: DC - 26.5 GHz
- VSWR: 1.20 maximum
- Impedance: 50 ohm

#### PART NUMBER

852-174



### 852-175 SMP FEMALE TO SMA FEMALE ADAPTER

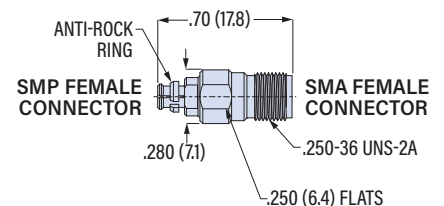


**SMP female / SMA Female.** 852-175 adapter connects male SMP to male SMA connector. Stainless steel body, gold-plated BeCu contact, PTFE insulator. Gold-plated BeCu anti-rock ring.

- Frequency range: DC - 26.5 GHz
- VSWR: 1.20 maximum
- Impedance: 50 ohm

#### PART NUMBER

852-175



## BNC-SMA Adapters

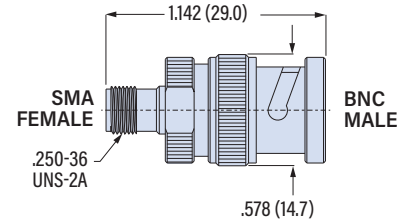
RF CONNECTOR ADAPTERS

### 852-189 BNC MALE TO SMA FEMALE ADAPTER



**BNC Male / SMA Female.** 852-189 adapter connects female BNC to SMA male connector. Stainless steel SMA body, nickel-plated brass BNC body and coupling nut. Gold-plated BeCu contact, PTFE insulator, nickel-plated brass wave washer. Silicone gasket.

- Operating temperature: -40 °C to +120 °C
- Frequency range: DC - 4 GHz
- VSWR: 1.20 maximum
- Impedance: 50 ohm



#### PART NUMBER

852-189