

I

Rigid Line Components and Accessories

Rigid Coaxial Line System Components and Installation Accessories



Electronics Research Inc. offers the complete range of system components and installation accessories, to compliment our selection of rigid coaxial transmission lines, including MACXLine® Rigid Line with Bellows and standard rigid line for indoor and short-run applications.

ERI maintains a 30,000 square foot stock area housing an inventory of standard components and accessories for rigid transmission line systems. In cases of emergency, these items can generally be ordered for next day delivery to your transmission facility within the United States.

As with all of our broadcast systems products, our complete line of rigid line components and accessories are designed to exacting standards and manufactured of high quality, durable materials.

Complete Selection

ERI offers the full range transmission line size and impedance to meet the needs of your system from 7/8 inch 50 Ohm to 8 3/16 inch 75 Ohm:

- 7/8 inch 50 Ohm
- 1 5/8 inch 50 Ohm
- 3 1/8 inch 50 Ohm
- 4 1/16 inch 50 Ohm
- 6 1/8 inch 50 Ohm
- 6 1/8 inch 75 Ohm
- 7 3/16 inch 75 Ohm
- 8 3/16 inch 75 Ohm

Benefits

- Superior engineering for excellent performance
- Superior materials for high durability
- American Institute of Steel Construction (AISC) certified assures the highest standards of quality
- Complete inventory and central location means next day delivery within the U.S.

System Components

- **Elbows:** flanged and unflanged, 90° and 45°, channelized and broadband, miter and swept
- **Inner connectors/ Bullets:** Captivated and uncaptivated
- **Gas Barriers**
- **Fine Matchers:** FM, VHF, and UHF
- **Adapters:** Male-to-Male, Type N, Type LC, End Terminal, Inner connector
- **Reducers**
- **Impedance Transformers**

Installation Accessories

- **Field Flanges:** Fixed, Swivel, Soft Solder, and Clamp-type flange adapter
- **Hardware Kits**
- **Rigid Line Hangers:** Rigid Hangers, Vertical Spring Hangers, Lateral Braces, Suspension Hangers and stud mounted slip hangers
- **Wall Feed-Thrus**
- **Tower Attachment Hardware**



Rigid Line Components and Accessories

Rigid Coaxial Line System Components and Installation Accessories

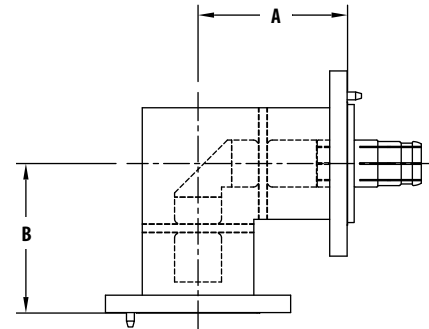
Rigid Line System Components

Elbows

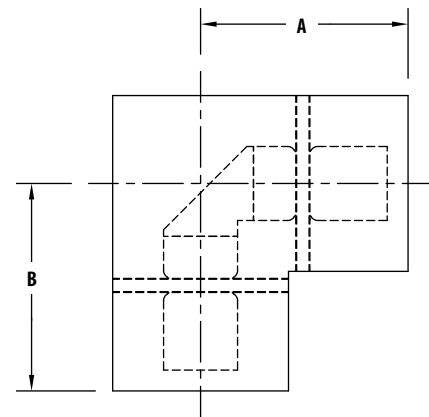
90° Flanged Miter Elbows

Utilizes swivel flanges. Inner connector and hardware kit included.

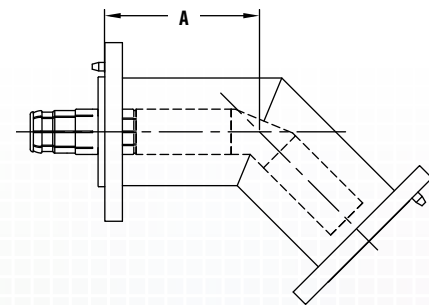
Type Number	Line Size in	Impedance Ohm	Leg Dimension [A]		Leg Dimension [B]		Weight	
			in	mm	in	mm	lbm	kg
ACX050-10SE	7/8	50	3.08	78.2	2.44	62.0	1.40	0.6
ACX150-10SE	1 5/8	50	2.89	73.4	2.89	73.4	3.50	1.6
ACX350-10SE	3 1/8	50	4.19	106.4	4.19	106.4	10.70	4.9
ACX350-10SU	3 1/8	50	4.19	106.4	17.18	436.4	12.00	5.4
ACX350-10SE-2	3 1/8	50	4.19	106.4	4.19	106.4	10.70	4.9
ACX450-10SE	4 1/16	50	6.00	152.4	6.00	152.4	15.00	6.8
ACX450-10SU	4 1/16	50	6.00	152.4	12.00	304.8	22.50	10.2
ACX450-10SU-5	4 1/16	50	6.00	152.4	8.00	203.2	17.50	7.9
ACX450-10SU-6	4 1/16	50	6.00	152.4	9.00	228.6	18.80	8.5
ACX650B-10SE	6 1/8	50	5.50	139.7	5.50	139.7	25.00	11.3
ACX650B-10SE-W	6 1/8	50	9.80	248.9	9.80	248.9	25.00	11.3
ACX675B-10SU-(*)	6 1/8	75	7.00	177.8	14.00	355.6	29.00	13.2
ACX675-10SE-W	6 1/8	75	12.00	304.8	12.00	304.8	29.00	13.2
ACX775-10SE-(*)	7 3/16	75	12.00	304.8	12.00	304.8	50.00	22.7
ACX775-10SE-W	7 3/16	75	12.00	304.8	12.00	304.8	50.00	22.7
ACX875B-10ASE-(*)	8 3/16	75	12.00	304.8	12.00	304.8	55.00	24.9
ACX875B-10SE-W	8 3/16	75	12.00	304.8	12.00	304.8	55.00	24.9



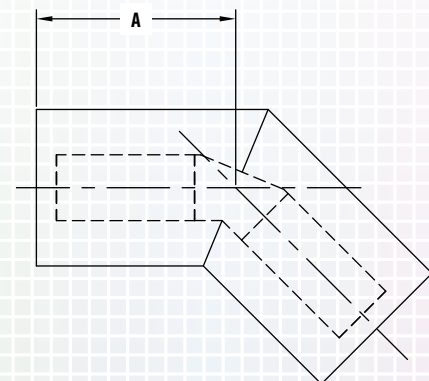
Flanged 90° Miter Elbow



Unflanged 90° Miter Elbow



Flanged 45° Miter Elbow



Unflanged 45° Miter Elbow

90° Unflanged Miter Elbows

Inner connector not included.

Type Number	Line Size in	Impedance Ohm	Leg Dimension [A]		Leg Dimension [B]		Weight	
			in	mm	in	mm	lbm	kg
ACX150-10SE-3	1 5/8	50	2.69	68.3	2.69	68.3	0.69	0.3
ACX150-10SU-3	1 5/8	50	5.81	147.6	2.81	71.4	2.00	0.9
ACX350-10SE-3	3 1/8	50	4.00	101.6	4.00	101.6	10.70	4.9
ACX450-10SE-3	4 1/16	50	5.75	146.1	5.75	146.1	7.50	3.4
ACX450-10SU-3	4 1/16	50	5.75	146.1	11.75	298.5	9.20	4.2

45° Flanged Miter Elbows

Utilizes swivel flanges. Inner connector and hardware kit included. Copper body construction.

Type Number	Line Size in	Impedance Ohm	Leg Dimension [A]		Leg Dimension [B]		Weight	
			in	mm	in	mm	lbm	kg
ACX350-9SE	3 1/8	50	4.50	114.3	4.50	114.3	9.00	4.1
ACX450-9SE	4 1/16	50	6.00	152.4	6.00	152.4	14.00	6.4
ACX775-9SE-(*)	7 3/16	75	9.00	228.6	9.00	228.6	41.25	18.7

45° Unflanged Miter Elbows

Inner connector not included. Copper body construction.

Type Number	Line Size in	Impedance Ohm	Leg Dimension [A]		Leg Dimension [B]		Weight	
			in	mm	in	mm	lbm	kg
ACX350-9SE-3	3 1/8	50	4.50	114.3	4.50	114.3	4.50	2.0
ACX450-9SE-3	4 1/16	50	5.50	139.7	5.50	139.7	7.00	3.2

Notes:

Specify Channel or frequency in place of "(*)".

W suffix indicates wideband elbow.



Rigid Line Components and Accessories

Rigid Coaxial Line System Components and Installation Accessories

Rigid Line System Components

Inner Connectors/ Bullets

Supported Captivated Inner Connectors/ Bullets

Includes electrically compensated PTFE disk.

Type Number	Line Size in	Impedance Ohm	Dimension A		Dimension B		Weight	
			in	mm	in	mm	lbm	kg
ACX350-19	3 1/8	50	4.13	104.9	1.70	43.2	0.63	0.29
ACX450-19	4 1/16	50	5.40	137.2	2.40	61.0	2.10	0.95
ACX650-19	6 1/8	50	5.40	137.2	2.44	62.0	2.10	0.95
ACX675-19	5 1/8	75	5.40	137.2	2.40	61.0	2.10	0.95
ACX775-19	7 3/16	75	6.00	152.4	2.62	66.5	5.25	2.38
ACX875-19	8 3/16	75	5.51	140.0	3.12	79.2	5.25	2.38

Supported Uncaptivated Inner Connectors/ Bullets

Includes electrically compensated PTFE disk.

Type Number	Line Size in	Impedance Ohm	Dimension A		Dimension B		Weight	
			in	mm	in	mm	lbm	kg
ACX050-20	7/8	50	1.94	49.3	0.93	23.6	0.29	0.13
ACX150-20	1 5/8	50	2.30	58.4	1.17	29.7	0.35	0.16
ACX350-20	3 1/8	50	4.13	104.9	1.70	43.2	0.63	0.29
ACX450-20	4 1/16	50	5.40	137.2	2.40	61.0	2.10	0.95
ACX650-20	6 1/8	50	5.50	139.7	2.44	62.0	2.10	0.95
ACX675-20	6 1/8	75	5.40	137.2	2.40	61.0	2.10	0.95
ACX775-20	7 3/16	75	6.00	152.4	2.62	66.5	5.25	2.38
ACX875-20	8 3/16	75	5.51	140.0	3.12	79.2	5.25	2.38

Unsupported Inner Connectors/ Bullets

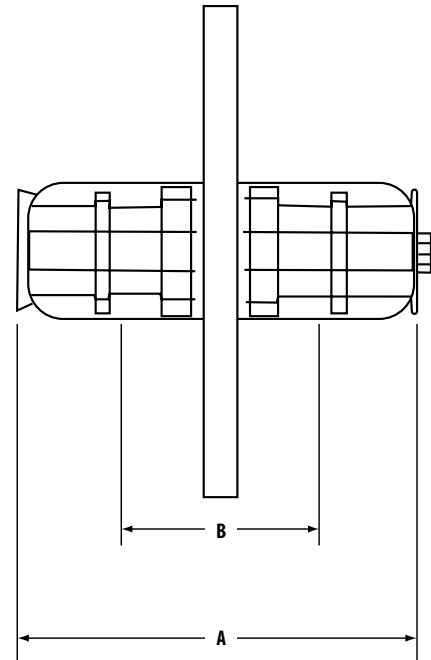
Does not include electrically compensated PTFE disk.

Type Number	Line Size in	Impedance Ohm	Dimension A		Dimension B		Weight	
			in	mm	in	mm	lbm	kg
ACX150-24	1 5/8	50	1.89	48.0	—	—	0.30	0.14
ACX350-24	3 1/8	50	3.63	92.2	—	—	0.50	0.23
ACX450-24	4 1/16	50	4.65	118.1	—	—	2.00	0.91

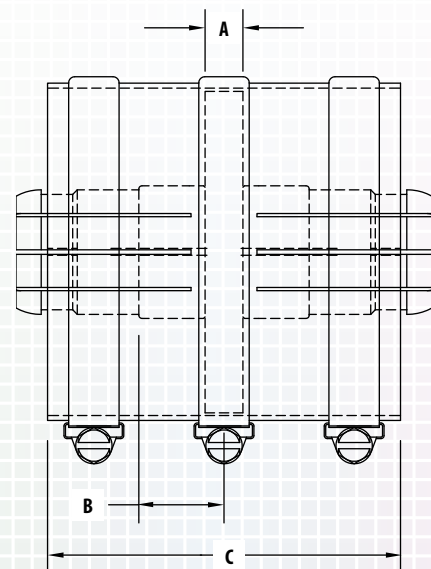
Unpressurized Couplings

Connect unflanged lines and fitting.

Type Number	Line Size in	Impedance Ohm	Dimension A		Dimension B		Dimension C	
			in	mm	in	mm	in	mm
RLA050-39	7/8	50	0.062	1.575	0.930	23.622	1.500	38.100
RLA150-39	1 5/8	50	0.250	6.350	1.014	25.756	2.500	63.500
RLA350-39	3 1/8	50	0.375	9.525	1.697	43.104	3.500	88.900
RLA450-39	4 1/16	50	0.375	9.525	1.188	30.175	4.250	107.950
RLA650-39	6 1/8	50	0.063	1.600	2.436	61.874	5.000	127.000



Supported Inner Connector



Unpressurized Coupling

I

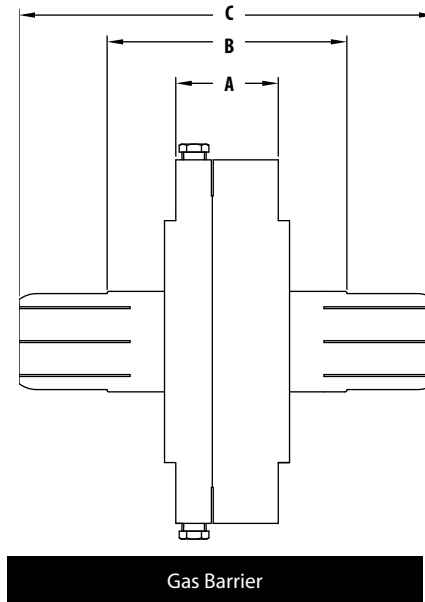
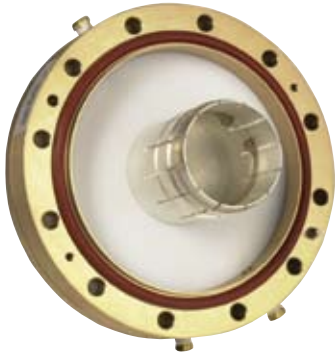
Rigid Line Components and Accessories

Rigid Coaxial Line System Components and Installation Accessories

Rigid Line System Components

Gas Barriers

Both sides feature a pressure port. Inner connector contacts for both sides included.



Type Number	Line Size in	Impedance Ohm	Diameter		Dimension A		Dimension B		Dimension C		Weight	
			in	mm	in	mm	in	mm	in	mm	lbm	kg
RLA050-16	7/8	50	2.25	57.15	1.125	28.575	2.000	50.800	3.062	77.775	—	—
RLA150-16	1 5/8	50	3.50	88.90	1.375	34.925	2.575	65.405	3.701	94.005	—	—
RLA350-16	3 1/8	50	5.19	131.83	1.000	25.400	2.735	69.469	5.160	131.064	4.8	2.2
RLA450-16	4 1/16	50	6.19	157.23	1.740	44.196	4.080	103.632	7.080	179.832	10.0	4.5
RLA650-16	6 1/8	50	8.12	206.25	1.630	41.402	4.046	102.768	7.109	180.569	19.4	8.8
RLA675-16	6 1/8	75	8.12	206.25	1.630	41.402	4.051	102.895	7.055	179.197	19.4	8.8
RLA775-16	7 3/16	75	9.50	241.30	1.630	41.402	4.375	111.125	7.750	196.850	13.6	6.2
RLA875-16	8 3/16	75	11.00	279.40	1.630	41.402	4.792	121.717	8.172	207.569	20.0	9.1



Rigid Line *Components and Accessories*

Rigid Coaxial Line System Components and Installation Accessories

Rigid Line System Components

Adapters

Male to Male Adapters

Joins two components having captivated inner connectors. No inner connectors. Includes hardware.

Type Number	Line Size in	Impedance Ohm	Dimension A	
			in	mm
STD150-52	1 5/8	50	6.0	152.4
STD350-52	3 1/8	50	6.0	152.4
STD450-52	4 1/16	50	6.0	152.4
CA405 †	4 1/16	50	6.0	152.4
STD650-52	6 1/8	50	6.0	152.4
STD675B-52	6 1/8	75	6.0	152.4
CA605 †	6 1/8	75	6.0	152.4
STD775-52	7 3/16	75	6.0	152.4
STD875B-52	8 3/16	75	6.0	152.4

† indicates thin wall to thick wall

Type N Adapters

Mates with UG-21. Gas tight with pressure port. Includes inner connector and hardware.

Type Number	Line Size in	Impedance Ohm	Dimension A		Weight	
			in	mm	lbm	kg
RLA050-NF	7/8	50	3.14	79.76	—	—
RLA150-NF	1 5/8	50	3.81	96.75	1.20	0.54
RLA350-NF	3 1/8	50	4.34	110.19	3.40	1.54
RLA450-NF	4 1/16	50	4.80	121.84	5.60	2.54

Type LC Female Adapters

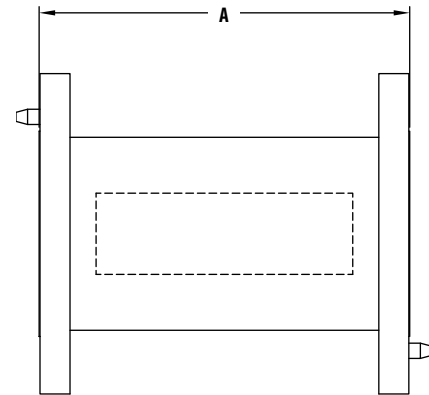
Mates with UG-154. Gas tight with pressure port. Includes inner connector and hardware.

Type Number	Line Size in	Impedance Ohm	Dimension A		Weight	
			in	mm	lbm	kg
RLA050-LC	7/8	50	3.25	82.55	1.20	0.54
RLA150-LC	1 5/8	50	4.72	119.81	3.40	1.54

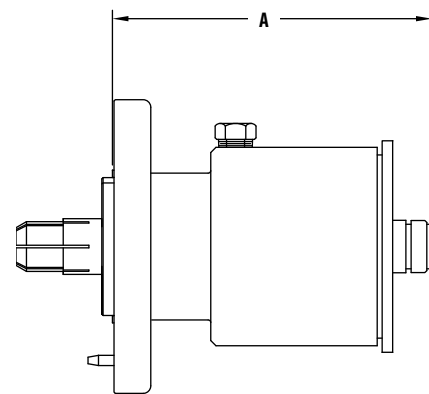
End Terminal Adapters

For strap connection. Gas tight with pressure port.

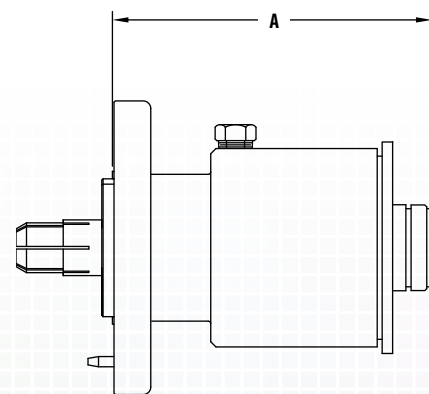
Type Number	Line Size in	Impedance Ohm	Dimension A		Weight	
			in	mm	lbm	kg
RLA050-80	7/8	50	4.17	105.97	—	—
RLA150-80	1 5/8	50	3.75	92.25	2.30	1.04
RLA350-80	3 1/8	50	5.75	146.05	6.30	2.86
RLA650-80	6 1/8	50	10.36	263.13	—	—



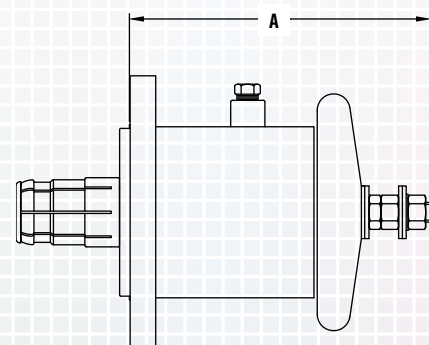
Male to Male Adapter



Type N Adapter



Type LC Female Adapter



End Terminal Adapter



Rigid Line *Components and Accessories*

Rigid Coaxial Line System Components and Installation Accessories

Rigid Line System Components

Adapters

Reducers

Includes two inner connectors. Not a gas barrier.

Type Number	Line Size in	Impedance Ohm	Interface	Dimension A	
				in	mm
RLA150-050	1 5/8	50	7/8 inch 50 Ohm	3.34	84.84
RLA350-150-P	3 1/8	50	1 5/8 inch 50 Ohm (Plate Reducer)	0.88	22.35
RLA450-150	4 1/16	50	1 5/8 inch 50 Ohm	6.25	158.75
RLA450-350	4 1/16	50	3 1/8 inch 50 Ohm	6.63	168.40
RLA650B-350	6 1/8	50	3 1/8 inch 50 Ohm	7.13	181.10
RLA650B-450	6 1/8	50	4 1/16 inch 50 Ohm	7.25	184.15
RLA775-675	7 3/16	75	6 1/8 inch 75 Ohm	9.63	244.60
RLA875-675	8 3/16	75	6 1/8 inch 75 Ohm	12.00	304.80
RLA875-775	8 3/16	75	7 3/16 inch 75 Ohm	12.00	304.80

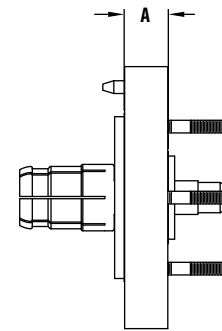
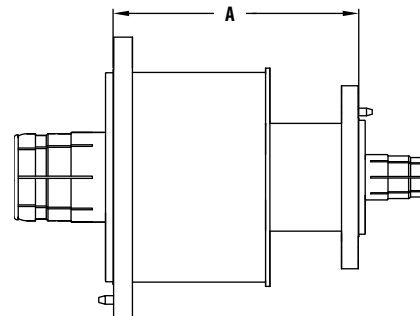


Plate Reducer



Step Reducer



Rigid Line Components and Accessories

Rigid Coaxial Line System Components and Installation Accessories

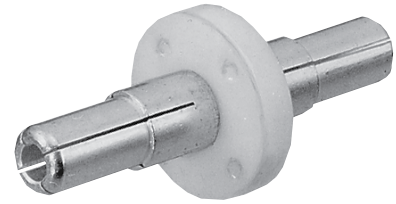
Rigid Line System Components

Adapters

Inner Connector Adapter

50 - 51.5 Ohm

Type Number	Line Size in	Impedance Ohm	Interface	Weight	
				lbm	kg
RLA050-051.5	7/8	50	7/8 inch 51.5 Ohm	0.03	0.01
RLA150-151.5	1 5/8	50	1 5/8 inch 51.5 Ohm	0.16	0.07
RLA350-351.5	3 1/8	50	3 1/8 inch 51.5 Ohm	0.31	0.14

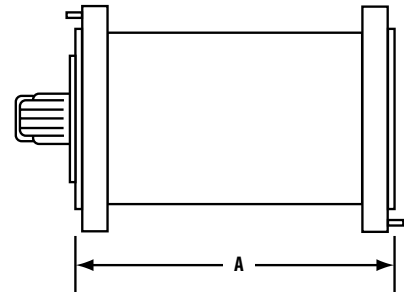


Adapter Inner Connector

6 1/8 inch Impedance Transformers

Connects 6 1/8 inch, 75 ohm line to 6 1/8, 50 ohm line. Includes inner connector for 50 ohm side. Not a gas barrier. Specify Channel or frequency in place of "*".

Type Number	Line Size in	Impedance Ohm	Interface	Dimension A		Weight		Channel
				in	mm	lbm	kg	
ACX675B-17-2	6 1/8	75	6 1/8 inch 50 Ohm	56.30	1430.0	45.00	20.41	2
ACX675B-17-3	6 1/8	75	6 1/8 inch 50 Ohm	51.40	1305.6	42.00	19.05	3
ACX675B-17-4	6 1/8	75	6 1/8 inch 50 Ohm	47.30	1201.4	40.00	18.14	4
ACX675B-17-5	6 1/8	75	6 1/8 inch 50 Ohm	43.90	1115.1	38.00	17.24	5
ACX675B-17-6	6 1/8	75	6 1/8 inch 50 Ohm	41.00	1041.4	36.00	16.33	6
ACX675B-17-7	6 1/8	75	6 1/8 inch 50 Ohm	21.20	538.5	25.00	11.34	7
ACX675B-17-8	6 1/8	75	6 1/8 inch 50 Ohm	20.60	523.2	25.00	11.34	8
ACX675B-17-9	6 1/8	75	6 1/8 inch 50 Ohm	20.10	510.5	25.00	11.34	9
ACX675B-17-10	6 1/8	75	6 1/8 inch 50 Ohm	19.70	500.4	25.00	11.34	10
ACX675B-17-11	6 1/8	75	6 1/8 inch 50 Ohm	19.20	487.7	25.00	11.34	11
ACX675B-17-12	6 1/8	75	6 1/8 inch 50 Ohm	18.80	477.5	25.00	11.34	12
ACX675B-17-13	6 1/8	75	6 1/8 inch 50 Ohm	18.40	467.4	25.00	11.34	13
ACX675B-17-(*)	6 1/8	75	6 1/8 inch 50 Ohm	13.20	335.3	22.00	9.98	14 - 26
ACX675B-17-(*)	6 1/8	75	6 1/8 inch 50 Ohm	11.70	297.2	20.00	9.07	27 - 39
ACX675B-17-(*)	6 1/8	75	6 1/8 inch 50 Ohm	10.50	266.7	19.00	8.62	40 - 53
ACX675B-17-(*)	6 1/8	75	6 1/8 inch 50 Ohm	9.50	241.3	18.00	8.16	54 - 69
ACX675B-17-W	6 1/8	75	6 1/8 inch 50 Ohm	—	—	—	—	2 - 69



Impedance Transformer



Rigid Line *Components and Accessories*

Rigid Coaxial Line System Components and Installation Accessories

Rigid Line System Components

Fine Matchers

UHF Fine Matcher

Flanged both ends. Includes one inner connector and flange hardware kit. Seven tuners. 18" (457.2 mm) Flange to Flange.



Type Number	Line Size, in	Impedance, Ohm
STD350-FT	3 1/8	50
STD450-FT-(*)	4 1/16	50
STD650B-FT	6 1/8	50
STD675B-FT-(*)	6 1/8	75
STD775-FT	7 3/16	75
STD875B-FT-(*)	8 3/16	75

(*) - Specify television channel or frequency.

Fine Matcher

UHF Fine Matcher Field Retrofit Kit

Includes four tuners for installation in customer supplied line section.

Type Number	Line Size, in	Impedance, Ohm
RLA650B-FTK	6 1/8	50
RLA675B-FTK	6 1/8	75
RLA775-FTK	7 3/16	75
RLA875B-FTK	8 3/16	75

(*) - Specify television channel or frequency.

VHF Fine Matcher

Flanged both ends. Includes one inner connector and flange hardware kit. Seven tuners. 30" (457.2 mm) Flange to Flange. Channels 7 through 13 only.

Type Number	Line Size, in	Impedance, Ohm
STD350-VFT2-(*)	3 1/8	50
STD450-VFT2-(*)	4 1/16	50
STD650-VFT2-(*)	6 1/8	50

(*) - Specify television channel or frequency.



Rigid Line Components and Accessories

Rigid Coaxial Line System Components and Installation Accessories

Rigid Line Installation Accessories

Field Flange Kits

Fixed Field Flange Kit

Meets EIA Standard. Includes silver brazing alloy and flux. Order inner connector and hardware kit separately.

Type Number	Line Size		Weight	
	in	lbm	kg	
RLA000-28	7/8	—	—	
RLA100-28	1 5/8	—	—	
RLA300-28	3 1/8	2.00	(0.9)	
RLA400-28	4 1/16	2.50	(1.1)	
RLA600B-28-SW	6 1/8	3.75	(1.7)	
RLA700-28	7 3/16	5.28	(2.4)	
RLA800B-28-SW	8 3/16	6.90	(3.1)	



Fixed Field Flange Kit

Swivel Field Flange Kit

Meets EIA Standard. Includes fixed ring, swivel flange, silver brazing alloy and flux. Order inner connector and hardware kit separately.

Type Number	Line Size		Weight	
	in	lbm	kg	
RLA000-27	7/8	—	—	
RLA100-27	1 5/8	—	—	
RLA300-27	3 1/8	2.00	(0.9)	
RLA400-27	4 1/16	2.50	(1.1)	
RLA600B-27	6 1/8	3.75	(1.7)	
RLA700-27	7 3/16	5.28	(2.4)	
RLA800B-27-SW	8 3/16	6.90	(3.1)	



Swivel Field Flange Kit

Soft Solder Swivel Field Flange Kit

Meets EIA Standard. For use on interior runs only. Includes soft solder, swivel flange, and sleeve with fixed ring. Order inner connector and hardware kit separately.

Type Number	Line Size		Weight	
	in	lbm	kg	
RLA000-37	7/8	—	—	
RLA100-37	1 5/8	—	—	
RLA300-37	3 1/8	2.90	(1.3)	
RLA400-37	4 1/16	3.00	(1.4)	
RLA600B-37	6 1/8	4.40	(2.0)	
RLA700-37	7 3/16	6.00	(2.7)	
RLA800B-37	8 3/16	20.00	(9.1)	

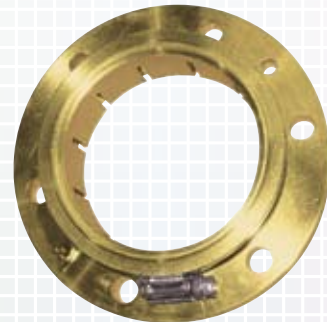


Soft Solder Swivel Field Flange Kit

Flange Adapter, Clamp Type

Order flange hardware kit and inner connector separately.

Type Number	Line Size, in
RLA000-38	7/8
RLA100-38	1 5/8
RLA300-38	3 1/8
RLA400-38	4 1/16
RLA600-38	6 1/8



Flange Adapter, Clamp Type



Rigid Line *Components and Accessories*

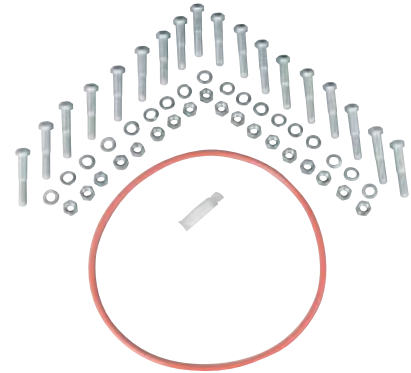
Rigid Coaxial Line System Components and Installation Accessories

Rigid Line Installation Accessories

Hardware Kit

Includes O-ring, silicone lubricant, nuts, bolts, and lock washers for one flange joint.

Type Number	Line Size	Weight, lbs (kg)	
RLA000-21	7/8"	0.11	(0.05)
RLA100-21	1-5/8"	0.24	((0.11)
RLA300-21	3-1/8"	0.50	(0.2)
RLA400-21	4-1/16"	0.81	(0.4)
RLA600-21	6-1/8"	1.08	(0.5)
RLA700-21	7-3/16"	1.35	(0.6)
RLA800-21	8-3/16"	1.89	(0.9)

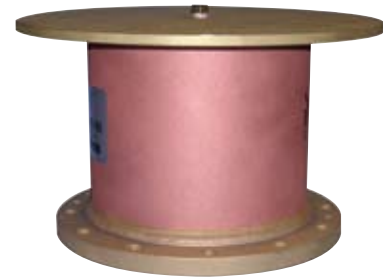


Hardware Kit

End Cap

Seals line to prevent moisture contamination. Includes flange hardware kit and 1/8-27 NPTF plug.

Type Number	Line Size
RLA300-50	3-1/8"
RLA400-50	4-1/16"
RLA600B-50	6-1/8"
RLA700-50	7-3/16"
RLA800B-50	8-3/16"



End Cap



Rigid Line Components and Accessories

Rigid Coaxial Line System Components and Installation Accessories

Rigid Line Installation Accessories

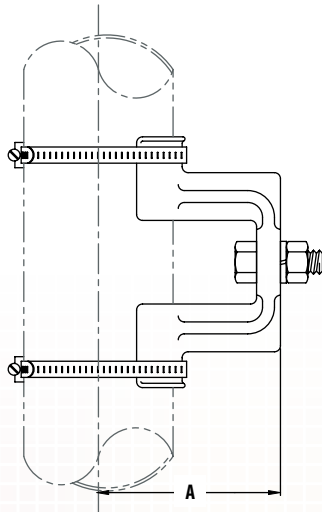
Rigid Line Hangers

Vertical Rigid Hangers

Type No.	[A], in (mm)		[B], in (mm)		Weight, lb (kg)	
RLA100-13	3.06	(77.7)	—	—	1.4	(0.6)
RLA300-13	3.81	(96.8)	—	—	6.3	(2.9)
RLA400-13L	5.25	(133.4)	2.38	(60.5)	4.4	(2.0)
RLA400-13	12.50-12.69	(303.3-322.3)	2.25	(57.2)	20.8	(9.4)
RLA600B-13	13.94-14.69	(368.3)	2.25	(57.2)	21.6	(9.8)
RLA700-13	14.94 - 15.69	(379.5 - 398.5)	2.25	(57.2)	27.4	(12.4)
RLA800B-13	15.94 - 16.69	(404.9 - 423.9)	2.25	(57.2)	27.4	(12.4)

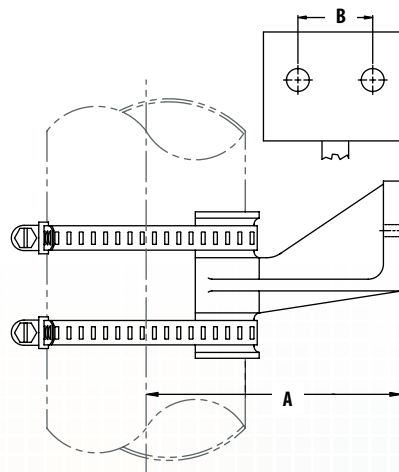
Use Drawing for RLA100-13 and RLA300A-13

Hanger attaches to top section. Use for up to 300 ft (90 m) of line and one for each additional 300 ft (90 m) of line. Mounts to 9/16" (15 mm) diameter hole with included 1/2" hardware.



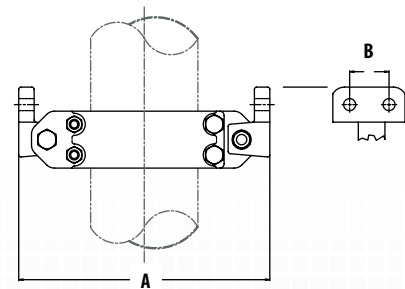
Use Drawing for RLA400-13L, Light Duty

Hanger attaches to top section. Use for up to 300 ft (90 m) of line and one for each additional 300 ft (90 m) of line. Mounts to 11/16" (15 mm) diameter holes with included 5/8" hardware.



Use Drawing for RLA400-13 and larger, Heavy Duty

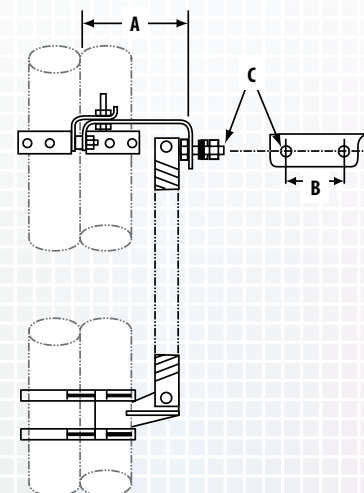
Hanger attaches to top section. Use for up to 1000 ft (300 m) of line and one for each additional 1000 ft (300 m) of line. Mounts to 11/16" (18 mm) diameter holes (2 for each side) with included 5/8" hardware.



Hinged Vertical Spring Hanger

Use at 10 ft (3 m) intervals. Supports transmission line, prevents lateral motion and accommodates differential expansion and contraction. Hinged to open from either left or right side – saves installation labor. Galvanized steel. Mounting hardware included: 1-5/8", 3-1/8" & 4-1/16", 1/2"; 6-1/8", 7-3/16" & 8-3/16", 5/8".

Type No.	[A], in (mm)		[B], in (mm)		[C], in (mm)		Weight, lb (kg)	
RLA100-11-H	3.06	(77.7)	—	—	0.53	(13.5)	3.2	(1.5)
RLA300-11-H	4.13	(104.9)	2.25	(57.2)	0.53	(13.5)	—	—
RLA400-11-H	5.31	(134.9)	2.38	(60.5)	0.66	(16.8)	—	—
RLA600-11-H	6.33	(160.8)	2.38	(60.5)	0.66	(16.8)	12.5	(5.7)
RLA700-11-H	8.00	(203.0)	3.00	(76.0)	0.66	(16.8)	13.0	(5.9)
RLA800-11-H	8.00	(203.0)	3.00	(76.0)	0.66	(16.8)	13.0	(5.9)



Vertical Spring Hanger



Rigid Line Components and Accessories

Rigid Coaxial Line System Components and Installation Accessories

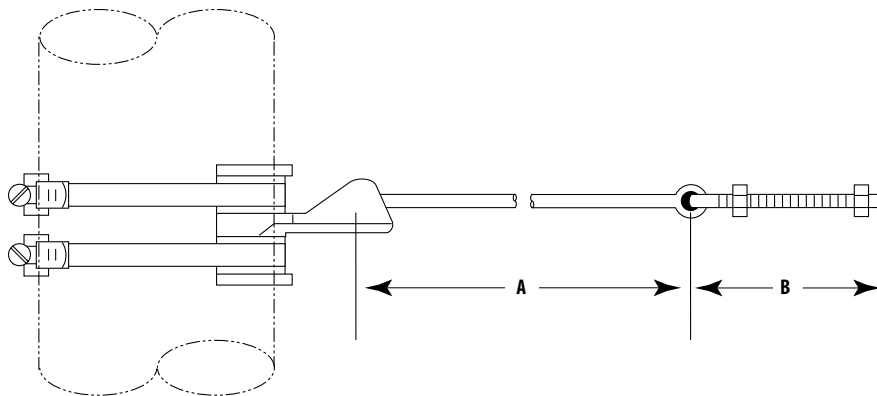
Rigid Line Installation Accessories

Rigid Line Hangers

Lateral Braces

Use one near bottom of vertical run to restrict lateral motion of line while permitting vertical and horizontal movement. Mounts through single 7/16" (11 mm) hole.

Type Number	Dimension A		Dimension B		Weight, lb (kg)	
	in	mm	in	mm	lbm	kg
RLA300-14	40.00	1016.0	6.00	152.4	2.3	1.0
RLA400-14	40.00	1016.0	6.00	152.4	3.3	1.5
RLA600-14	40.00	1016.0	6.00	152.4	4.1	1.9
RLA700-14	40.00	1016.0	6.00	152.4	5.0	2.3
RLA800-14	40.00	1016.0	6.00	152.4	5.0	2.3



Lateral Brace



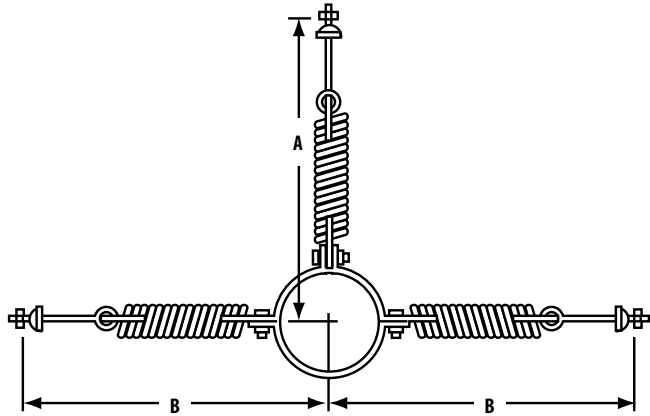
Rigid Line Components and Accessories

Rigid Coaxial Line System Components and Installation Accessories

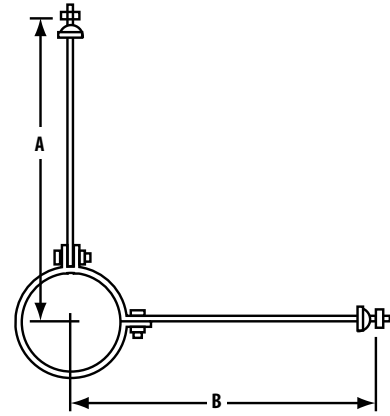
Rigid Line Installation Accessories

3-Point Horizontal Suspension Hangers

For horizontal run. Use at 10 ft (3 m) intervals. Accommodates vertical movement caused by differential expansion and contraction of vertical run. Spring type is suitable for short horizontal runs. For long horizontal runs, substitute rod type for some spring hangers to eliminate excessive coaxial line motion.



Spring Type Hanger



Rod Type Hanger

Spring Type

Type Number	Dimension A		Dimension B		Weight	
	in	mm	in	mm	lbm	kg
RLA300-12	25.9	657.9	19.3	490.2	9.5	4.3
RLA400-12	24.7	627.4	21.0	533.4	9.5	4.3
RLA600-12	25.6	650.2	21.1	535.9	9.4	4.3
RLA700-12	26.3	668.0	21.6	548.6	9.4	4.3
RLA800-12	26.7	678.2	22.1	561.3	9.4	4.3

Fixed Rod Type

Type Number	Dimension A		Dimension B		Weight	
	in	mm	in	mm	lbm	kg
RLA400-17	25.63	651.0	19.75	501.7	9.38	4.26
RLA600-17	25.63	651.0	19.50	495.3	9.38	4.26
RLA700-17	25.63	651.0	19.50	495.3	9.50	4.31
RLA800-17	25.63	651.0	19.50	495.3	9.50	4.31



Rigid Line *Components and Accessories*

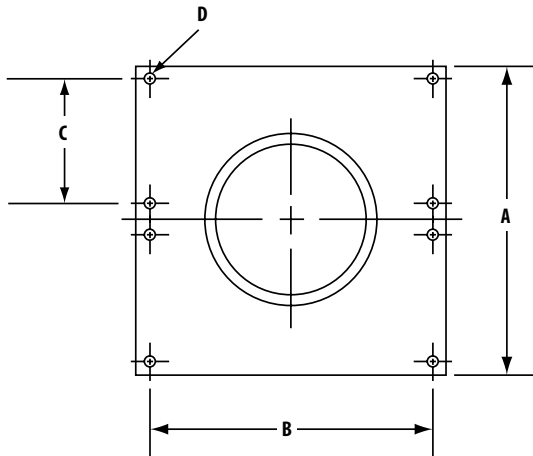
Rigid Coaxial Line System Components and Installation Accessories

Rigid Line Installation Accessories

Wall Feed-Thrus

Includes split mounting plate. Uses 3/8" mounting hardware, D (not included).

Type Number	Dimension A		Dimension B		Dimension C		Weight	
	in	mm	in	mm	in	mm	lbm	kg
RLA300-15	8.0	(203.2)	6.8	(174.5)	2.8	(71.1)	8.2	(3.7)
RLA400-15	9.0	(228.6)	7.8	(196.9)	3.3	(83.8)	10.0	(4.5)
RLA600B-15	14.0	(355.6)	12.8	(325.1)	5.8	(147.3)	17.5	(7.9)
RLA700-15	16.0	(406.4)	14.0	(355.6)	6.0	(152.4)	17.5	(7.9)
RLA800B-15	16.0	(406.4)	14.0	(355.6)	6.0	(152.4)	17.5	(7.9)





Rigid Line Components and Accessories

Rigid Coaxial Line System Components and Installation Accessories

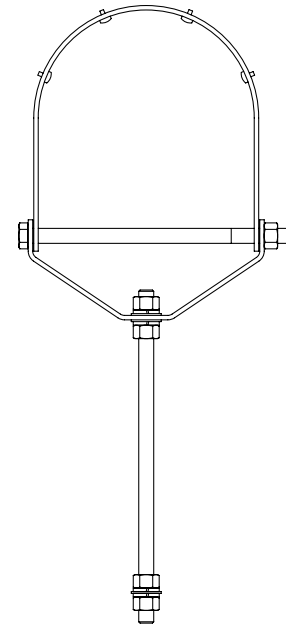
Rigid Line Installation Accessories

Indoor Slip Hanger

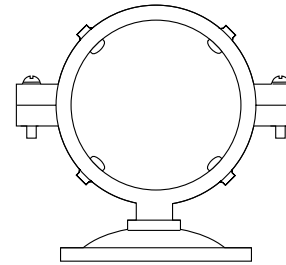
Horizontal Slip Hanger

For indoor use only. Supports transmission line and accommodates horizontal motion due to expansion and contraction. Type RLA300-22 is flange mounted; others are mounted from 36 inch long threaded rods, which allow some adjustment of line standoff distance.

Type Number	Line Size in	Center of Line to Hanger Base		Weight		Mounting Hardware
		in	mm	lbm	kg	
RLA100-22A	1 5/8	3.0	76.2	2.5	1.1	3/8 inch-24 UNC
RLA300-22	3 1/8	3.3	83.8	2.3	1.0	3/8 inch Flange Mount
RLA300-22A	3 1/8	4.9	124.0	5.5	2.5	1/2 inch-13 UNC
RLA400-22A	4 1/16	5.5	139.7	5.7	2.6	1/2 inch-13 UNC
RLA600B-22A	6 1/8	6.9	176.3	6.0	2.7	1/2 inch-13 UNC
RLA700-22A	7 3/16	8.4	212.9	10.0	4.5	1/2 inch-13 UNC
RLA800-22A	8 3/16	8.4	212.9	9.5	4.3	1/2 inch-13 UNC



Threaded Rod Mount



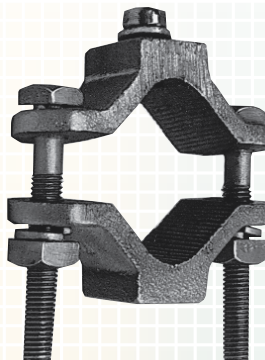
Flange Mount

Tower Attachment Hardware

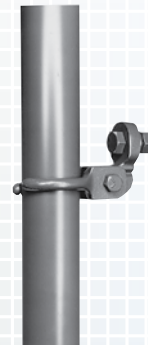
Type Number	Line Size	Description
14378	1-5/8"	Slide Hanger: Use at 10 ft (3m) intervals. Mounts to 9/16 in (14 mm) diameter hole with 1/2" diameter bolt or to angle adapter. Prevents lateral and horizontal motion.
13555A	—	Galvanized Angle Adapter: For attaching hangers to tower angle members up to 7/8" (22mm) thick.
13550	—	Galvanized Round Member Adapter: For attaching hangers to round members up to 3 in (75 mm) diameter. Includes 1/2" x 1-1/4" hanger attachment bolt and nut.



13555A



13550



14378



Around the World, Across the Spectrum, Your Single Source For Broadcast Solutions

Antennas | Transmission Line | Filters/Combiners | Towers | Broadcast Services



About Electronics Research, Inc.

Founded in 1943, Electronics Research, Inc. delivers high quality, innovative, integrated solutions to broadcasters across the U.S. and around the world. Our dedicated staff of engineers, designers, fabricators, and project managers take pride in contributing to your success by providing AM, FM, VHF, UHF, BRS-EBS, and Mobile Media broadcast systems including the industry's best antenna, transmission line, filter and combining, and tower and structural support systems. In addition to manufacturing the full range of broadcast system components and installation accessories, ERI offers all of the engineering and field services needed to plan, install, optimize, and maintain your broadcast facility. We are your single source for broadcast solutions.

Broadcast Antenna Systems

- ROTOTILLER® FM Radio Antenna
- LYNX™ Dual Input for IBOC FM Radio Antenna
- 1105 Circularly Polarized FM Radio Antenna
- 100 Low Power Circularly Polarized FM Radio Antenna
- FM Low Power Horizontally Polarized Educational FM Radio Antenna
- P300/P350 Series Vertically Polarized FM Radio Antenna
- 1180 and 1090 Series Broadband Panel FM Radio Antenna
- SLIMWING™ Batwing VHF Television Antenna
- CRUCIS™ Crossed Dipole VHF Television Antenna
- STINGRAY™ Broadband Panel VHF Television Antenna
- TRASAR® High Power Traveling Wave Television Antenna
- AGW Guided Wave Quick-Deploy Emergency UHF Television Antenna
- STINGRAY™ Broadband Panel UHF Television Antenna
- ALP Low and Medium Power UHF Television Antenna
- AL PLUS Low and Medium Power UHF Television Antenna
- AL8 Low Power UHF Television Antenna
- VELA™ Low Power Vertically Polarized Broadband UHF Television Antenna
- HMD BRS-EBS Antenna
- SHADOWMASTER® Shadow-Filling BRS-EBS Antenna

Transmission Line Systems

- MACXLine® Rigid Transmission Line with Bellows
- HELIAX® Air- and Foam-dielectric Coaxial Cable
- HELIAX® Standard Elliptical Waveguide
- GUIDELINE® Circular Waveguide
- Standard Rectangular Waveguide
- Dehydrators and Pressurization Equipment

Filter and Combining Systems

- FM Radio Filter and Combining Systems
- UHF and VHF Television Filter and Combining Systems
- DAB Filter and Combining Systems
- Mobile Media Filter and Combining Systems
- RF Components
- System Monitoring and Protection Components

Structural Support Systems

- Guyed Towers
- Self-Supporting Towers
- Roof-top Antenna Support Structures
- Specialty Structures and Custom Antenna Supports

RF and Structural System Services

- RF Field and Engineering Services
- Installation and Structural Engineering Services

Electronics Research, Inc.
7777 Gardner Road
Chandler, Indiana 47610-9219
USA

877 ERI-LINE (toll-free: North America)
www.eriinc.com (web)
+1 812 925-6000 (international)
+1 812 925-4030 (fax)

All designs, specifications, and availabilities of products and services presented in this publication are subject to change without notice.