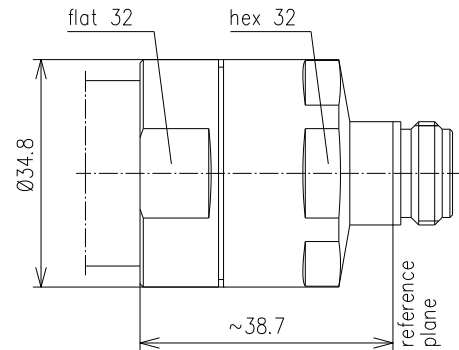


CABLE SOCKET FOR LF 7/8"-50-TYPE N



Part number	BN 84 64 02		
Connector type	N socket		
Version	MultiFit™		
Impedance	50 Ω		
Frequency range	0 - 1 GHz	≤ 1 - 2.7 GHz	≤ 2.7 - 3.8 GHz
VSWR	≤ 1.02	≤ 1.03	≤ 1.08
Material and surface			
Inner conductor	copper alloy	silver-plated	
Outer conductor	copper alloy	CuSnZn-plated	
Other metal parts	copper alloy copper alloy	Sn-plated CuSnZn-plated	
Insulation	PTFE		
Sealing	silicone rubber		
Degree of protection	IP68 (mated)		
Cable compatibility	Spinner	SPINNERFlex™ LF7/8"-50	
	Acome	HPL50-7/8 ALU, HPL50-7/8 F, HPL50-7/8 LA	
	Andrew	AL5-50, AVA5-50, VXL5-50	
	Draka	RFA 7/8"-50, RFA 7/8"-50 AL, RFE 7/8"-50	
	Eupen	EA5-50 Aluminum, EC5-50-A, EC5-50-HF	
	Hansen	RF 50 7/8"	
	Hengxin	HCTAY-50-22	
	Leoni	FlexLine 7/8" R Low Loss	
	LS Cables	LHF 22D, HFC 22D	
	RFS	LCF 78-50 A, LCF 78-50 L, UCF 78-50 A, UCF 78-50 L	
Standards	IEC 61169-16		
Installation instructions	M32110		
Included in delivery	cutting guide, installation instructions		