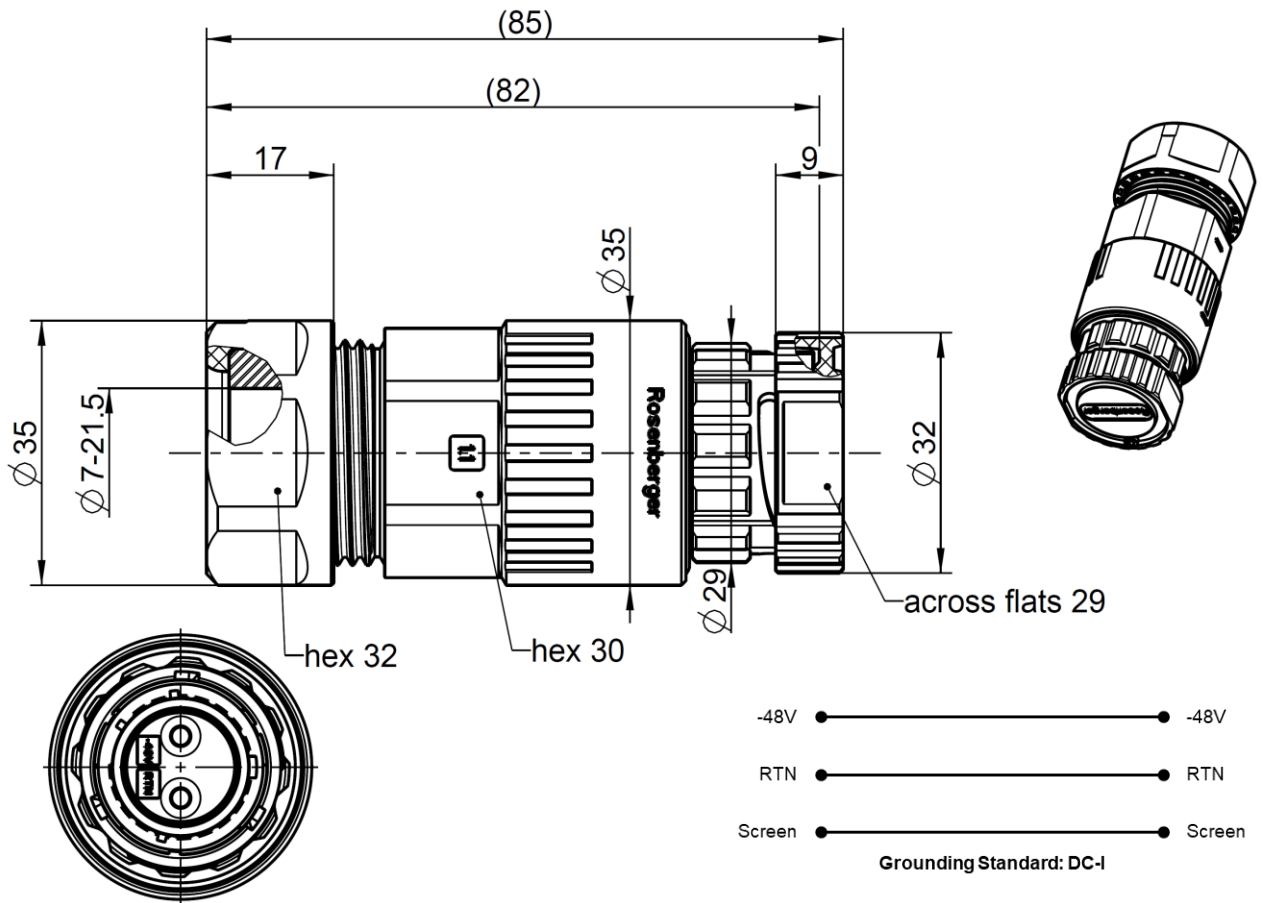


Multi-Power

EMI shielded
3-way cable plug

7F2RS105B-0M16T1



All dimensions are in mm; tolerances according to ISO 2768 m-H

Documents

Assembly instruction 70B5

Material and plating

Connector parts

Outer contact
Dielectric
Insert
Body
Gasket
Cap nut

Material
ZnAl4Cu1
PA66/6T
CuBe
PA
Silicone
PA

Plating

Tin
Silver over nickel

Dieses Dokument ist urheberrechtlich geschützt • This document is protected by copyright • Rosenberger Hochfrequenztechnik GmbH & Co. KG

RF_35/05.10/6.0

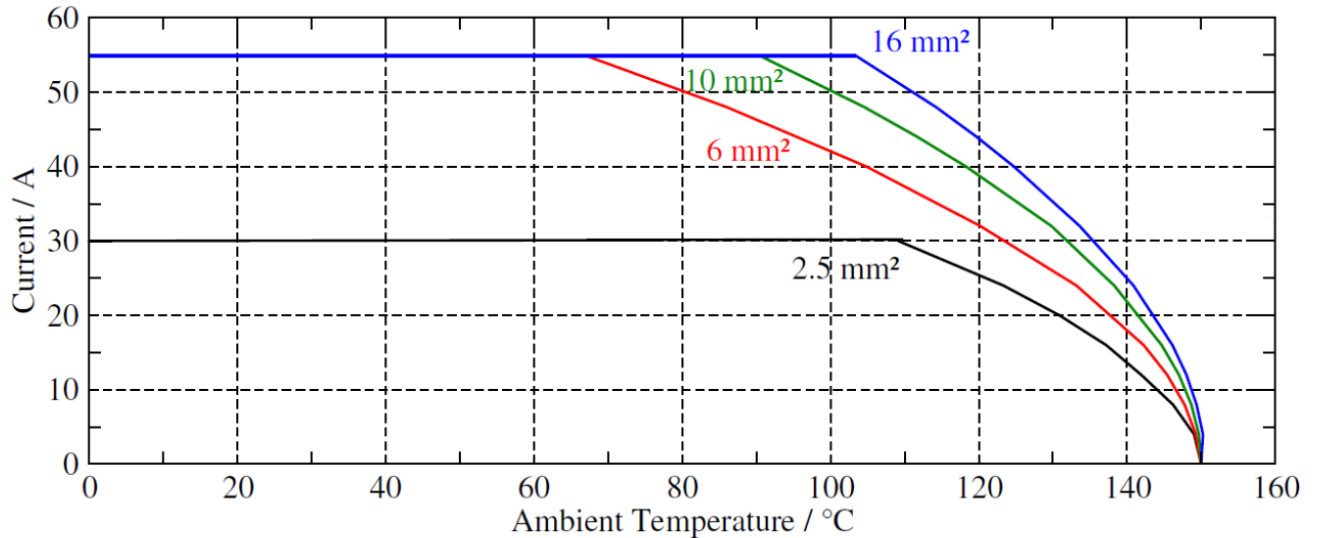
Multi-Power

EMI shielded
3-way cable plug

7F2RS105B-0M16T1

Electrical data

Contact resistance $\leq 4 \text{ m}\Omega$ @ insert
 $\leq 1 \text{ m}\Omega$ @ outer contact
 Working voltage $\leq 60\text{V DC}$
 Test voltage $\leq 300\text{V DC}$
 Contact current (acc. to chart)



- Test according to IEC 60512-5-2, samples free in air, connected with 2.5, 6, 10 and 16mm² cables. Limitations possible due to different test conditions -

Mechanical data

Mating cycles ≥ 100
 Mating force $\leq 150\text{N}$
 Un-mating force $\leq 150\text{N}$
 Coupling torque 0.3Nm to 1Nm
 Interface retention force $\geq 200\text{N}$
 Pin -48V Hot contact
 Pin RTN 0V – Return
 Grounding Standard Isolated DC return (DC-I)

Environmental data

Temperature range -40°C to +85°C
 Climatic test IEC 60068-2-38 (-40°C / +85°C, 5-90 % rel. humidity)
 Corrosion resistance EIA-364-65B, Class IIIA
 Vibration IEC 60068-2-6
 Moisture resistance IEC 60068-2-78
 Degree of protection (mated pair) IEC 60529, IP67
 Flammability class UL94 V0
 RoHS compliant

Dieses Dokument ist urheberrechtlich geschützt • This document is protected by copyright • Rosenberger Hochfrequenztechnik GmbH & Co. KG

RF_35/05.10/6.0

Technical Data Sheet

Rosenberger

Multi-
Power

EMI shielded
3-way cable plug

7F2RS105B-0M16T1

Cable

Cable outer diameter Ø 7 – 21.5mm
 Ø 0.28" – 0.84"

Copper wire gauge 2.5mm² - 16mm²
 AWG 6 - 12

Weight

Weight 110 g/pce

Power supply to pins must be deactivated unless they are completely plugged in. Misuse may damage contact. Rosenberger declines all liabilities to cross-compatibility to other competitors' connectors.

While the information has been carefully compiled to the best of our knowledge, nothing is intended as representation or warranty on our part and no statement herein shall be construed as recommendation to infringe existing patents. In the effort to improve our products, we reserve the right to make changes judged to be necessary.

For the installation of the electrotechnical equipment, particular electrotechnical expertise is required.



Draft	Date	Approved	Date	Rev.	Engineering change number	Name	Date
J. Fuchs	16.12.2019	J. Fuchs	09.06.2022	b00	22-1041	J_Krautenbacher	09.06.2022

Rosenberger Hochfrequenztechnik GmbH & Co. KG
P.O.Box 1260 D-84526 Tittmoning Germany
www.rosenberger.com

Tel. : +49 8684 18-0
Email : info@rosenberger.com

Page
3 / 3